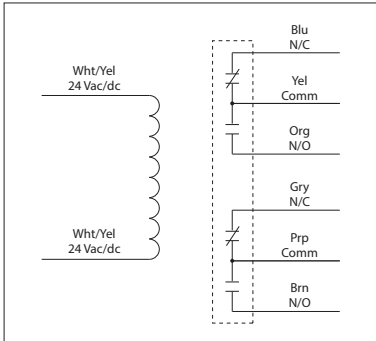


## 20 / 30 AMP POWER CONTROL RELAYS

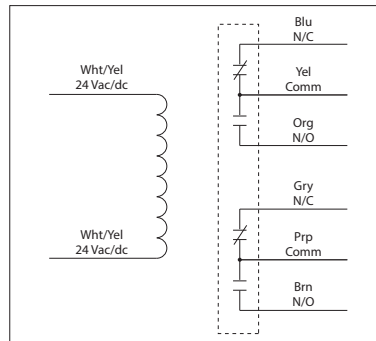
### RIB24P

Enclosed Relay 20 Amp DPDT with 24 Vac/dc Coil



### RIB24P30

Enclosed Relay 30 Amp DPDT with 24 Vac/dc Coil



Made in USA  
Meets  
"Buy American"  
of ARRA 2009

RELAYS

## SPECIFICATIONS

**# Relays & Contact Type:** One (1) DPDT Continuous Duty Coil  
**Expected Relay Life:** 10 million cycles minimum mechanical  
**Operating Temperature:** -30 to 140° F  
**Humidity Range:** 5 to 95% (noncondensing)  
**Operate Time:** 18ms  
**Relay Status:** LED On = Activated  
**Dimensions:** 2.30" x 3.20" x 1.80"  
with .50" NPT Nipple (RIB24P)  
2.30" x 3.20" x 1.80"  
with .75" NPT Nipple (RIB24P30)  
**Wires:** 16", 600V Rated  
**Approvals:** UL Listed, UL916, UL864, UL60947, C-UL  
California State Fire Marshal  
**Housing Rating:** UL Accepted for Use in Plenum, NEMA 1  
**Gold Flash:** Yes  
**Override Switch:** No

**Contact Ratings:** (RIB24P)  
20 Amp Resistive @ 300 Vac  
20 Amp Resistive @ 28 Vdc  
20 Amp Ballast @ 277-480 Vac  
*Not rated for Electronic Ballast*  
15 Amp Resistive @ 600 Vac  
770 VA Pilot Duty @ 120 Vac  
1158 VA Pilot Duty @ 240 Vac  
1109 VA Pilot Duty @ 277 Vac  
1640 VA Pilot Duty @ 480 Vac  
Heavy Pilot Duty @ 600 Vac  
3 HP @ 480-600 Vac  
2 HP @ 240-277 Vac  
1 HP @ 120 Vac

**Contact Ratings:** (RIB24P30)  
30 Amp Resistive @ 300 Vac  
25 Amp Resistive @ 28 Vdc  
20 Amp Ballast @ 277-480 Vac  
*Not rated for Electronic Ballast*  
15 Amp Resistive @ 600 Vac  
770 VA Pilot Duty @ 120 Vac  
1158 VA Pilot Duty @ 240 Vac  
1110 VA Pilot Duty @ 277 Vac  
1640 VA Pilot Duty @ 480 Vac  
Heavy Pilot Duty @ 600 Vac  
3 HP @ 480-600 Vac  
2 HP @ 240-277 Vac  
1 HP @ 120 Vac

**Coil Current:**  
110 mA @ 20 Vac  
138 mA @ 24 Vac  
55 mA @ 20 Vdc  
55 mA @ 24 Vdc  
77 mA @ 30 Vdc

**Coil Voltage Input:**  
24 Vac/dc ; 50-60 Hz  
Drop Out = 3 Vac / 3.8 Vdc  
Pull In = 20 Vac / 20 Vdc